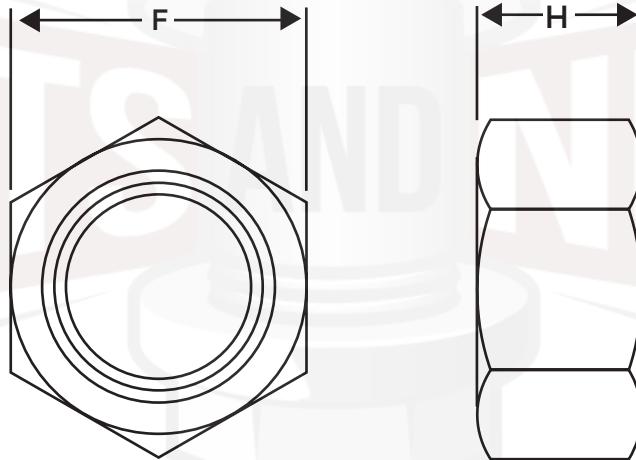


Class 10 Finished Hex Nuts



Nominal Size or Basic Bolt Diameter	F		H	
	Width Across Flats (mm)		Nut Thickness (mm)	
	Max	Min	Max	Min
M3	5.5	5.32	2.4	2.15
M4	7.0	6.78	3.2	2.9
M5	8.0	7.78	4.0	3.7
M6	10.0	9.78	5.0	4.7
M7	11.0	10.73	5.5	5.2
M8	13.0	12.73	6.5	6.14
M10	17.0	16.73	8.0	7.64
M12	19.0	18.67	10.0	9.64
M14	22.0	21.67	11.0	10.30
M16	24.0	23.67	13.0	12.30
M18	27.0	26.16	15.0	14.30
M20	30.0	29.16	16.0	14.90
M24	36.0	35.0	19.0	17.70

Dimensions: DIN 934
Material: DIN267 Hardened Class 10
Threading: 6H

440.606.6557

www.boltsandnuts.com

info@boltsandnuts.com

ONLINE FASTENER GROUP LLC CLAIMS ALL PROPRIETARY RIGHTS TO THIS DRAWING AND THE INFORMATION IT CONTAINS. THIS MATERIAL IS CONFIDENTIAL. DISCLOSURE, REPRODUCTION, AND MANUFACTURING IS STRICTLY PROHIBITED WITHOUT THE EXPRESS WRITTEN PERMISSION OF ONLINE FASTENER GROUP LLC . ALL RIGHTS OF DESIGN OR INVENTION ARE RESERVED.