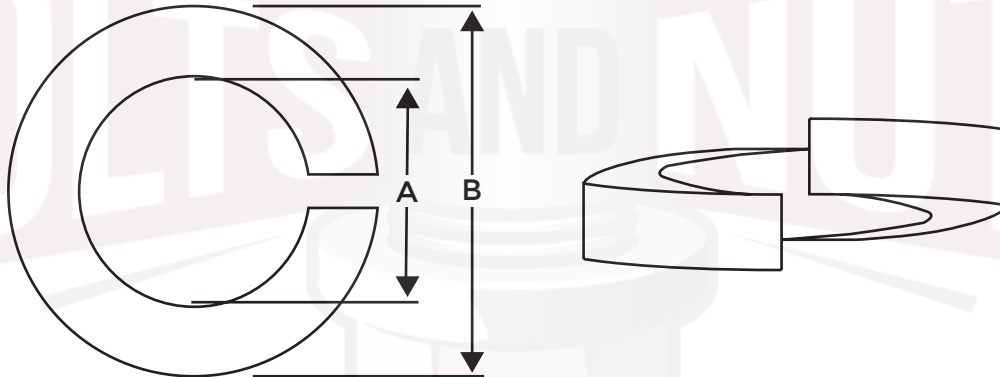


Metric Split Lock Washers



Nominal Size or Basic Bolt Diameter	A		B	C
	Inside Diameter (MM)		Outside Diameter (MM)	Thickness (MM)
	Max	Min	Max	Max
M3	3.4	3.1	6.2	0.90
M4	4.4	4.1	7.6	1.00
M5	5.4	5.1	9.2	1.30
M6	6.5	6.1	11.8	1.70
M8	8.5	8.1	14.8	2.10
M10	10.7	10.2	18.1	2.35
M12	12.7	12.2	21.1	2.65
M14	14.7	14.2	24.1	3.15
M16	17.0	16.2	27.4	3.70
M18	19.0	18.2	29.4	3.70
M20	21.2	20.2	33.6	4.20

Dimensions: DIN 127

440.606.6557

www.boltsandnuts.com

info@boltsandnuts.com

ONLINE FASTENER GROUP LLC CLAIMS ALL PROPRIETARY RIGHTS TO THIS DRAWING AND THE INFORMATION IT CONTAINS. THIS MATERIAL IS CONFIDENTIAL. DISCLOSURE, REPRODUCTION, AND MANUFACTURING IS STRICTLY PROHIBITED WITHOUT THE EXPRESS WRITTEN PERMISSION OF ONLINE FASTENER GROUP LLC . ALL RIGHTS OF DESIGN OR INVENTION ARE RESERVED.