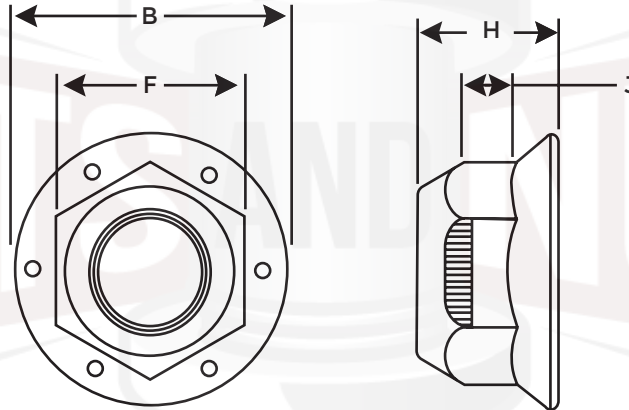




Grade G Hex Flange Top Lock Nuts



Inches						
Nominal Size or Basic Bolt Diameter	F		B	H		J
	Width Across Flats		Flange Dia	Nut Thickness		Wrench Height
	Max	Min	Max	Max	Min	Min
1/4	0.4385	0.428	0.560	0.300	0.265	0.14
5/16	0.5020	0.489	0.680	0.365	0.320	0.17
3/8	0.5645	0.551	0.810	0.425	0.404	0.20
7/16	0.6895	0.675	0.930	0.495	0.457	0.23
1/2	0.7520	0.736	1.070	0.555	0.528	0.26
5/8	0.9395	0.922	1.330	0.690	0.646	0.32
3/4	1.1270	1.088	1.585	0.825	0.742	0.38

Dimensions: IFI-100/107 Prevailing Torque Lock Nut - Conestyle Top
Material: IFI-100/107 Grade G (Grade 8 Equivalent)
Threading: ASME B1.1, UNC & UNF, Class 2B
All Metal Locking Feature:
 Top is pressed or crimped to displace threads which creates the locking feature.

440.606.6557

www.boltsandnuts.com

info@boltsandnuts.com

ONLINE FASTENER GROUP LLC CLAIMS ALL PROPRIETARY RIGHTS TO THIS DRAWING AND THE INFORMATION IT CONTAINS. THIS MATERIAL IS CONFIDENTIAL. DISCLOSURE, REPRODUCTION, AND MANUFACTURING IS STRICTLY PROHIBITED WITHOUT THE EXPRESS WRITTEN PERMISSION OF ONLINE FASTENER GROUP LLC . ALL RIGHTS OF DESIGN OR INVENTION ARE RESERVED.